

The W-Series JAC BOT lifting system is designed for lifting large class mining haul trucks. This rugged semi all-terrain vehicle has been designed and built by mechanics using simple and effective solutions backed by engineering principles. The safety comes from the wireless remote control and the self-propelled hydraulic drive, thus keeping personnel away while lifting loads and it's maneuverability requires little to no effort. The sealed lead-acid batteries are safe, practical and remain a dominant, cost-effective power source in the mining industry. The entire JAC BOT Fleet Status is easily managed through the S.M.A.R.T. Module with conditional monitoring capability via IoT (JB-S model only).



Technical Specifications

Base Carrier

- Radio Remote Control With Storage Pocket
- 24VDC 3KW Electric Motor
- (4) 6VDC Dry Cell Deep Cycle Batteries
- 210AH 3-4 HRs Typical Run Time (Avg. 10 Lifts)
- Built-In Battery Charger
- 8HRs Full Charge Time from 20%DOD
- Opportunity Charging Capable
- 2 Speed (high/low) 1.5-3KM/HR
- Rear Drive and Steering
- (2) 16 Inch Solid Rubber Idler Wheels with Grip
- Two-Stage Gear Pump
- 4000psi Max Hydraulic Pressure
- LEDs & Motion Alarm

Hydraulic Lift Cylinder

- 100-250 US Ton Cylinder Options
- Custom Stroke Lengths are Available
- Simplified Interchangeability
- Embedded Hydraulic Load-Lock Valves



250T 26" Stroke JB-S Model represented

(JB-S Model Only)

S.M.A.R.T. Module IoT

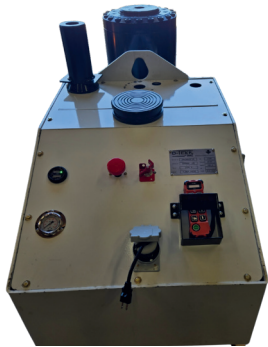
System Monitoring Access in Real Time

- Hour Meter, In-Service Status, PM Status
- Tonnage Display with Bypass Indicator
- Conditional Monitoring to Mine Control
- JAC BOT Fleet Status



Lifting Adapters

- Tilt saddle
- 4, 6, 8, 10, 12 (inch)
- 101, 152, 208, 250, 305 (mm)



JAC BOT - RELAY
JB-R

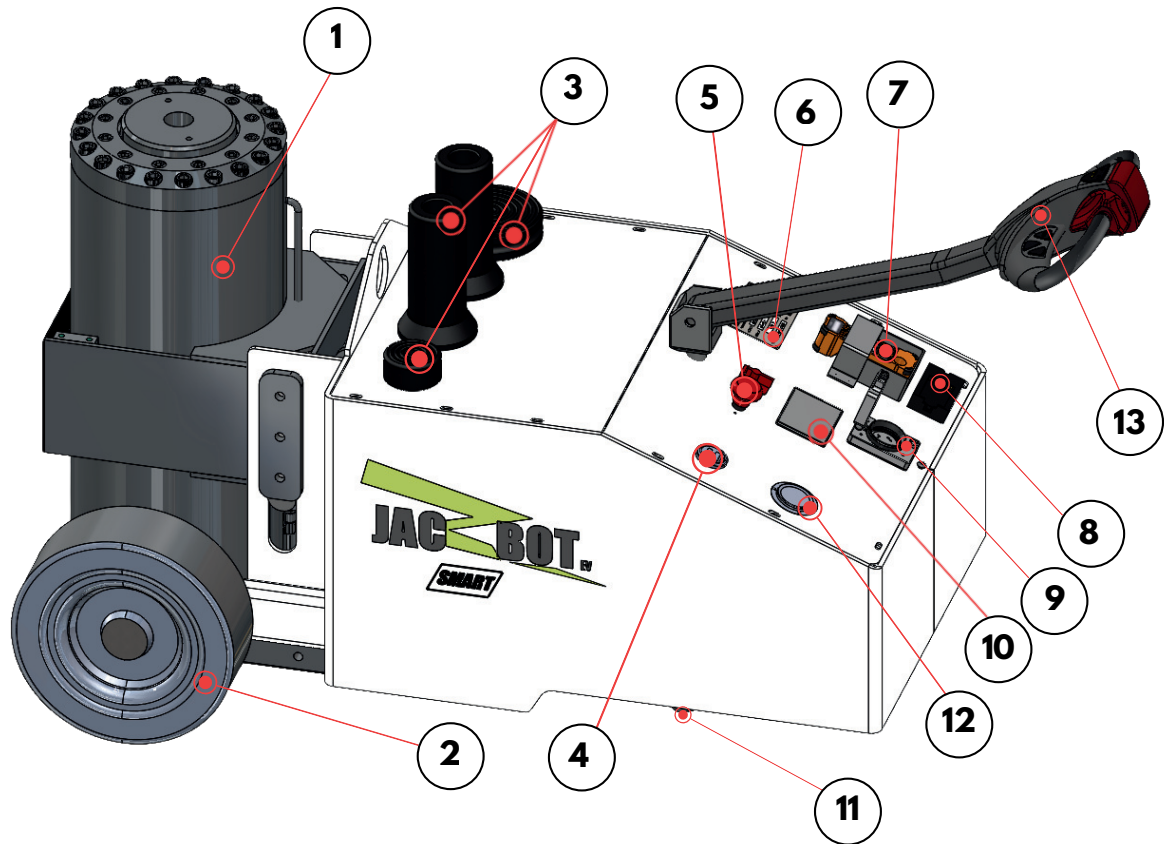
- BASE CARRIER
- MAIN LIFT CYLINDER
- RELAY LOGIC

PART No.	DESCRIPTION
JB-R	JAC BOT-RELAY (BASE CARRIER ONLY)
JB-S	JAC BOT-SMART (BASE CARRIER ONLY)
JB-CH-DS	JAC BOT CONTROL HANDLE (DRIVE AND STEERING ALTERNATIVE)
JB-ML-250T-26S	MAIN LIFT CYLINDER (250 ton 26" stroke)
JB-4-CLC-2	4"Dia x 2"H LOAD CAP
JB-8-CLC-2	8"Dia x 2"H LOAD CAP
JB-4-LA-4	4"Dia x 4"H LIFTING ADAPTER
JB-4-LA-6	4"Dia x 6"H LIFTING ADAPTER
JB-4-LA-8	4"Dia x 8"H LIFTING ADAPTER
JB-4-LA-10	4"Dia x 10"H LIFTING ADAPTER
JB-4-LA-12	4"Dia x 12"H LIFTING ADAPTER
JB-LA-TS	4"Dia TILT SADDLE



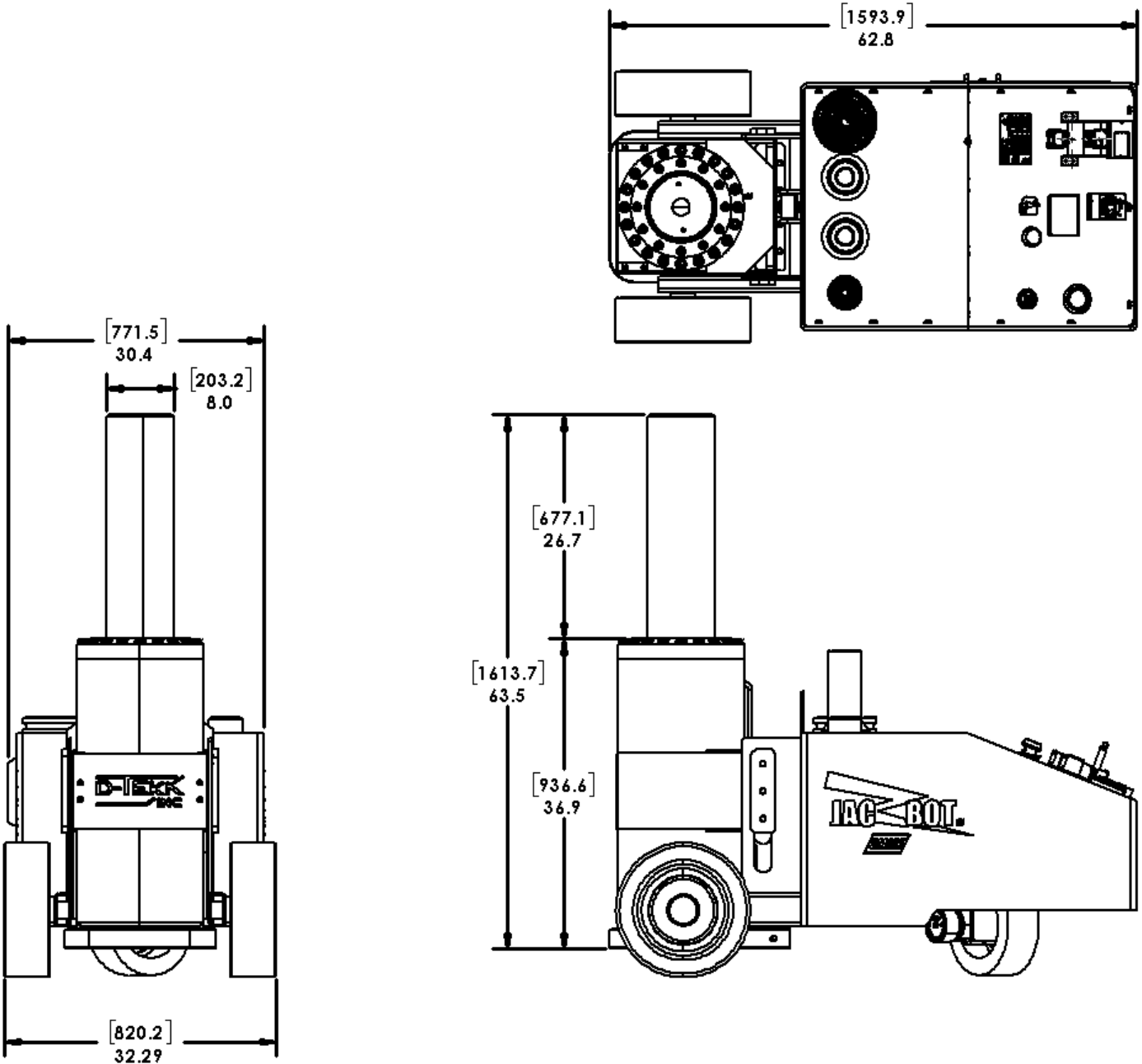
JAC BOT - SMART
JB-S

- BASE CARRIER
- MAIN LIFT CYLINDER
- SMART MODULE LOGIC



1. MAIN LIFT CYLINDER (100T-250T)
2. 16" SOLID RUBBER TIRES (IDLER WHEELS)
3. LIFTING ADAPTERS AND LOAD CAPS
4. HOUR/CHARGE METER
5. E-STOP AND LOCKOUT SWITCH
6. STAINLESS STEEL ID PLAQUE
7. RADIO REMOTE CONTROL AND STORAGE POCKET
8. REMOTE CONTROL BATTERY CHARGER
9. CHARGING PORT (30A)
10. S.M.A.R.T MODULE, HMI SCREEN (ONLY ON JB-S)
11. 12" SOLID RUBBER DRIVE WHEEL AND REAR-STEERING
12. HYDRAULIC PRESSURE GAUGE
13. OPTIONAL CONTROL HANDLE (DRIVE AND STEER ONLY)

General Dimensions



Disclaimer: Product details, illustrations, and specifications are subject to change without prior notice. While every effort has been made to ensure accuracy, we cannot guarantee that all information is current or complete. Images may depict optional features or configurations not included as standard. D-TEKK INC. reserves the right to modify designs, materials, and features. Please confirm all details with your sales representative before purchasing. 2026 D-TEKK INC.. All rights reserved. The products and materials featured in this brochure are protected by intellectual property rights owned by D-TEKK INC. Unauthorized use, copying, or reproduction is prohibited.