

The W-Series JAC BOT lifting system is designed for lifting large class mining haul trucks. This rugged semi all-terrain vehicle has been designed and built by mechanics using simple and effective solutions backed by engineering principles. The safety comes from the tethered air-powered remote control and the self-propelled hydraulic drive, thus keeping personnel away while lifting loads and it's maneuverability requires little to no effort.



Technical Specifications

■ Base Carrier

- 100% Air Powered, No Electrical
- Tethered Air Powered Remote Control for Main Lift
- Air Pilot Control Valves
- 5HP(9HP OPTIONAL) Air Motor 100PSI (7 Bar) Max, 110 CFM (187 m³/h)
- Pallet Jack Style Steering
- Self-Propelled Rear Hydraulic Drive Wheel with Grip
- (2) 16 Inch Solid Rubber Idler Wheels with Grip
- Two-Stage Gear Pump
- 3500psi Max Hydraulic Pressure
- Built-In Adapter Holder
- Hydraulic Pressure Gauge

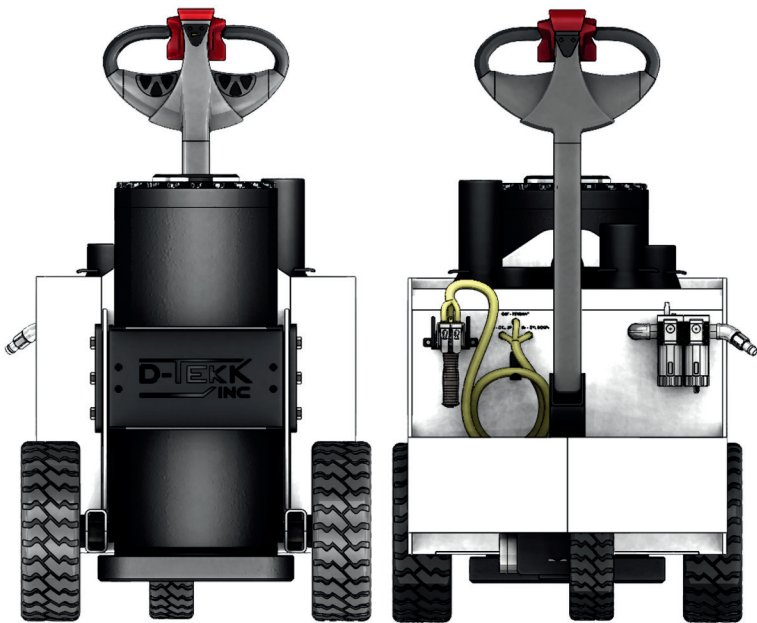
■ Hydraulic Lift Cylinder

- 100-250 US Ton Cylinder Options
- Custom Stroke Lengths are Available
- Simplified Interchangeability
- Embedded Hydraulic Load-Lock Valves

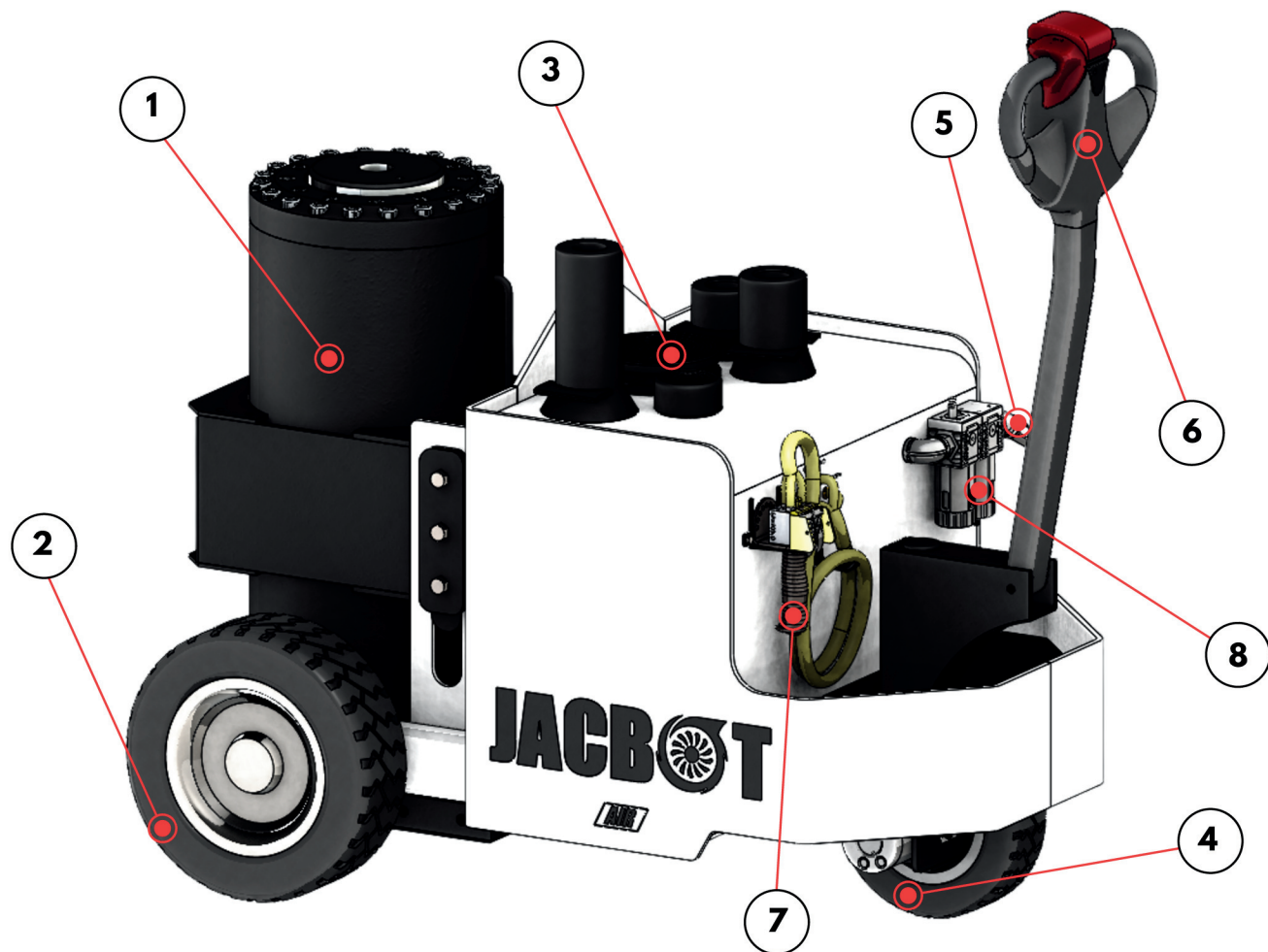
■ Lifting Adapters

- Tilt saddle
- 4, 6, 8, 10, 12 (inch)
- 101, 152, 208, 250, 305 (mm)



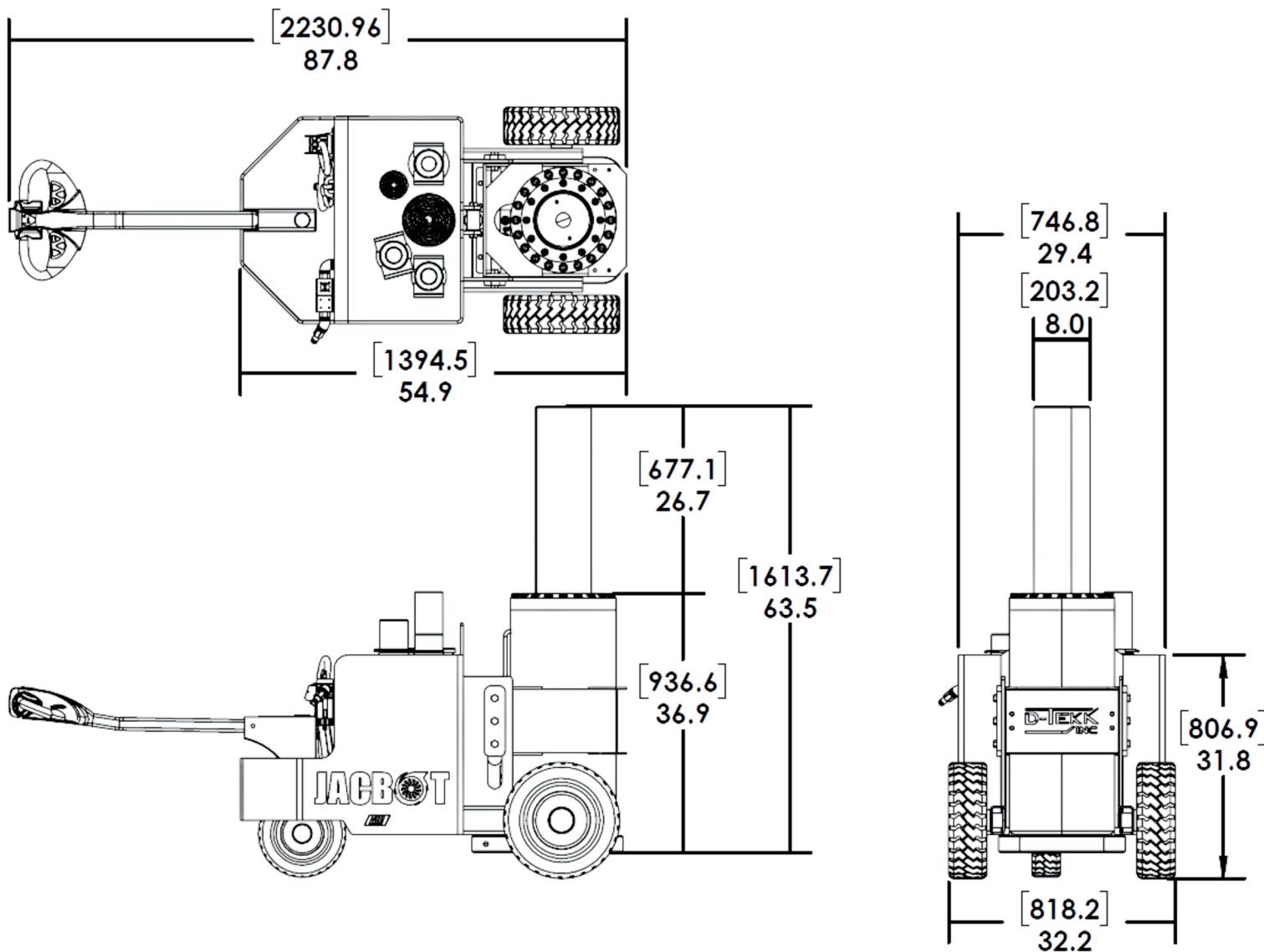


PART No.	DESCRIPTION
JB-A	JAC BOT-AIR (BASE CARRIER)
JB-ML-250T-26S	MAIN LIFT CYLINDER (250 ton 26" stroke model shown)
JB-4-CLC-2	4"Dia x 2"H LOAD CAP
JB-8-CLC-2	8"Dia x 2"H LOAD CAP
JB-4-LA-4	4"Dia x 4"H LIFTING ADAPTER
JB-4-LA-6	4"Dia x 6"H LIFTING ADAPTER
JB-4-LA-8	4"Dia x 8"H LIFTING ADAPTER
JB-4-LA-10	4"Dia x 10"H LIFTING ADAPTER
JB-4-LA-12	4"Dia x 12"H LIFTING ADAPTER
JB-LA-TS	4"Dia TILT SADDLE



1. MAIN LIFT CYLINDER (100T-250T)
2. 16" SOLID RUBBER TIRES (IDLER WHEELS)
3. LIFTING ADAPTERS AND LOAD CAPS
4. 12" SOLID AGGRESSIVE GRIP, RUBBER DRIVE WHEEL AND REAR-STEERING
5. QUICK-CONNECT AIR INLET
6. PALLET JACK STYLE STEERING HANDLE (AIR POWERED)
7. TETHERED MAIN LIFT CYLINDER FUNCTION CONTROLLER
8. IN-LINE FILTER/LUBRICATOR

General Dimensions



NOTE: Dimensions are shown in inches and mm (square brackets).

Disclaimer: Product details, illustrations, and specifications are subject to change without prior notice. While every effort has been made to ensure accuracy, we cannot guarantee that all information is current or complete. Images may depict optional features or configurations not included as standard. D-TEKK INC. reserves the right to modify designs, materials, and features. Please confirm all details with your sales representative before purchasing. 2026 D-TEKK INC.. All rights reserved. The products and materials featured in this brochure are protected by intellectual property rights owned by D-TEKK INC. Unauthorized use, copying, or reproduction is prohibited.